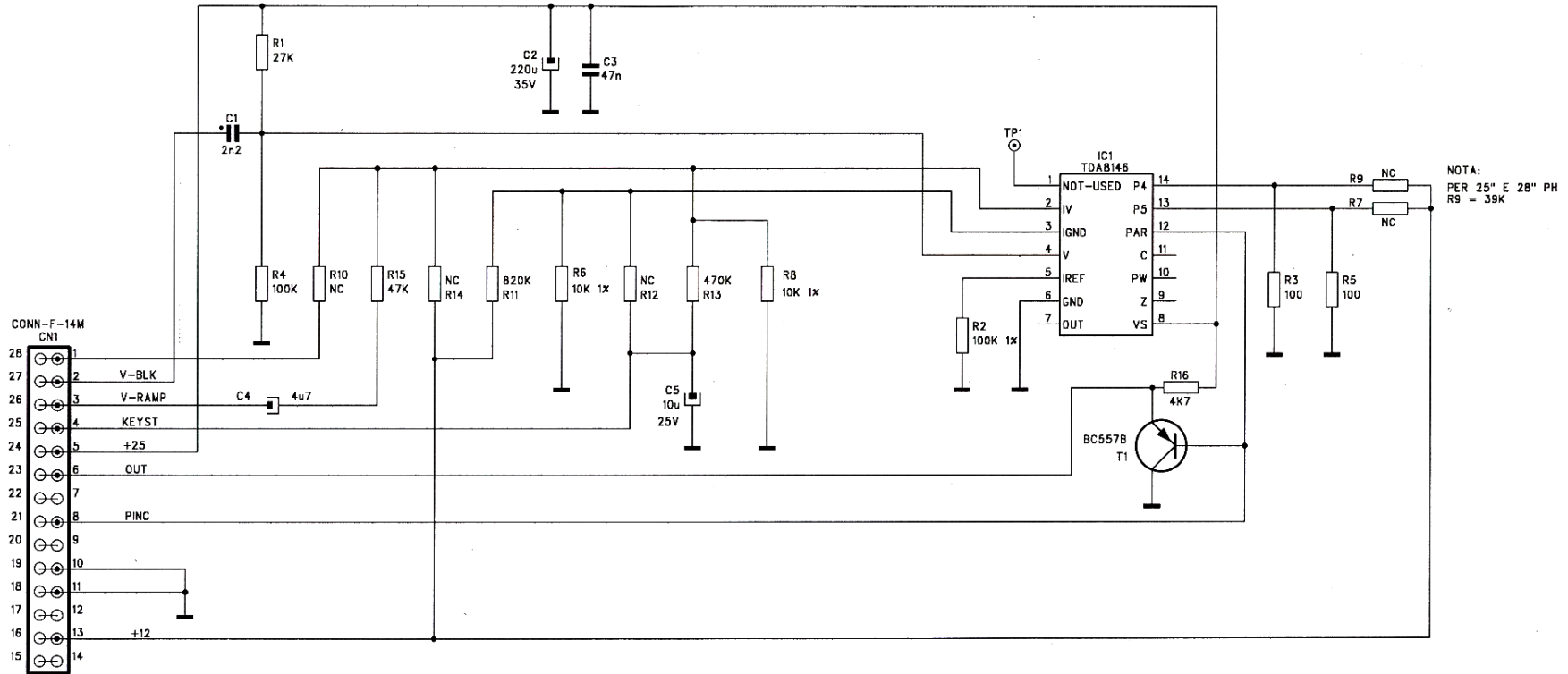
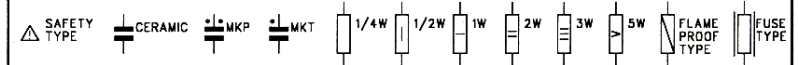


SCHEMATIC NOTES



NOTA:
PER 25" E 28" PH
R9 = 39K

Rev N:	Rif N:	Description:	Date:	Approved:
Title: E-W BOARD POLO/2 15KHz & 15/25KHz				
File name:		Document number:		
HQ01.sch		53892382		
PCB code:		Date:		
50140740		03/12/98		
PCB file:		Designed:		
HQ01.pcb		V.G.		
Sheet 1 Of 1			Approved:	
			-	

HANTAREX
ELECTRONIC SYSTEMS
MADE BY
SAMBERS ITALIA S.p.A.